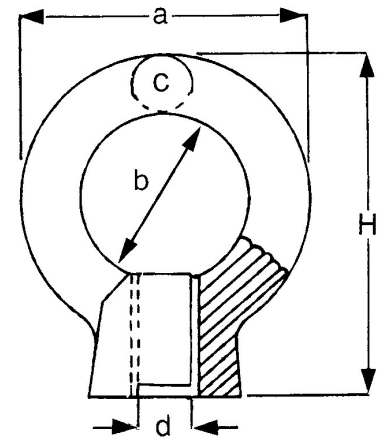


Proboat Stainless Steel Commercial Eye Nut



Stainless steel commercial eye nut.

Stainless steel AISI 316.



Part	d	c mm	b mm	a mm	H mm	Break Load Kg.
ED-101406	M6	5	16	25	31	880
ED-101408	M8	6	20	33	38	1040
ED-101410	M10	8	25	41	49	2100
ED-101412	M12	10	30	50	60	2800