

Blue Wave WDS Ball For Threaded Terminal

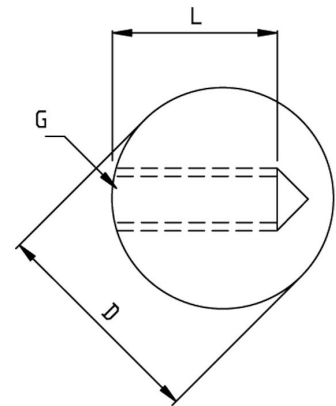


WDS ball for threaded terminal.

These threaded balls are used as eye catching stop ends for threaded wire terminals.

Also ideally suited for angled wire installations.

Stainless steel - AISI 316.



| Part | Wire Dia mm | D mm | L mm | G mm | Hole |
|--------------|-------------|------|------|------|-------|
| BW-A240503 | 3 | 15.0 | 12.0 | M5 | Blind |
| BW-A240503-X | 3 | 20.0 | 16.0 | M5 | Blind |
| BW-A240605 | 4 / 5 | 20.0 | 16.0 | M6 | Blind |
| BW-A240806 | 6 | 25.0 | 20.0 | M8 | Blind |