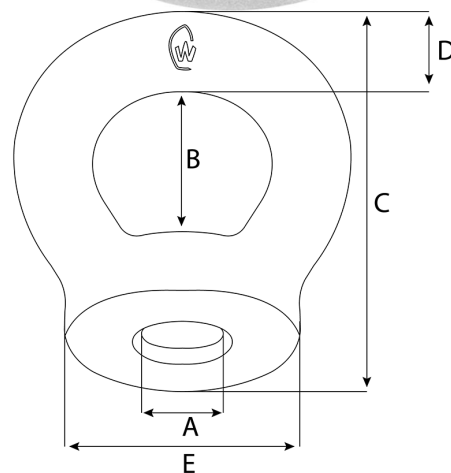


Wichard Forged Stainless Steel Eye Nut



Forged stainless steel eye nut.

Wichard eye nuts are single-piece forged components that guarantee you excellent safety standards for your fastenings. They come in a broad range of sizes, enabling you to find the solutions best suited to your circumstances. Should you wish to order large quantities with specific lengths or diameters, Wichard can also manufacture custom-made items.



Part	A mm	B mm	C mm	D mm	E mm	B.L. Kg
WD-6333	M6 x 100	13	27	6	17	1500
WD-6334	M8 x 125	13	27	6	17	2200
WD-6344	M8 x 125	17	36	8	22	3000
WD-6345	M10 x 150	17	36	8	22	4500
WD-6355	M10 x 150	22	46	10	28	4800
WD-6356	M12 x 175	22	46	10	28	5200
WD-6366	M12 x 175	27	56	12	34	7000
WD-6367	M14 x 200	27	56	12	34	9000
WD-6368	M16 x 200	27	56	12	34	10000