

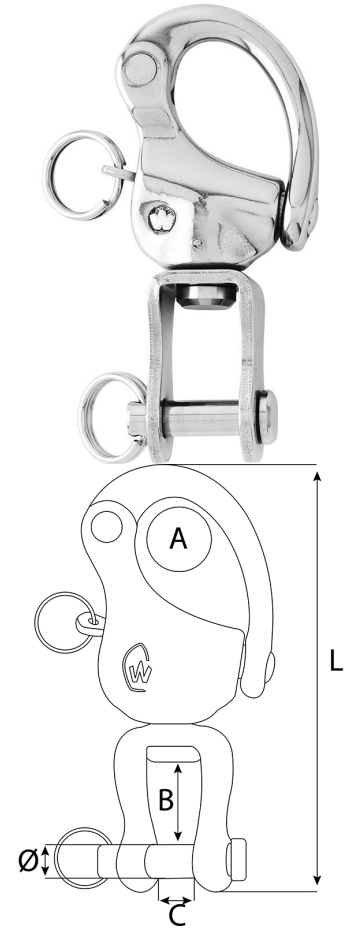
## Wichard Forged Stainless Steel Swivel Clevis Snap Shackles



Forged stainless steel clevis pin, swivel snap shackle.

Wichard High Resistance Snap Shackles, are the product of cutting edge technological development, forged stainless steel, they are simple, safe and strong.

The plunger pin is set captive into the hook during assembly and cannot become detached.



Part	Type	L mm	A mm	B mm	C mm	Ø mm	Work Load Kg	Break Load Kg	Weight Kg
WD-2474	Clevis Pin Swivel	70	16	15	12	6	800	1600	0.071
WD-2476	Clevis Pin Swivel	90	21	17	11	7	1280	3800	0.154
WD-2478	Clevis Pin Swivel	120	26	27	18	11	2400	7000	0.417